



Model

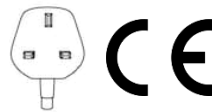
NS300XHD

Product Description

Slicer, 12", Extra Heavy Duty

Product Code

5S511N



Standard Features

- Ideal machine for high volume work required in large restaurants, supermarkets, delis, butchers and central production kitchens
- Designed to effortlessly handle heavy loads like bacon and large pieces of meat that might cause slipping and / or blade stoppage on a belt driven machine
- Ideal slicer for heavy cured meats including bacon, Parma ham, Serrano ham, Bresaola and Salami
- Hollow ground chromed carbon steel blade
- Easy set thickness control allows for precision slicing
- Carriage slides on ball bearings for smooth carriage glide
- Made from high polished, anodised food grade aluminium for durability and hygiene
- Large base to ensure slicer has a large capacity to cope with large products
- Ergonomic design with smooth rounded edges to allow for fast and easy cleaning and improved levels of hygiene
- Fully interlocked and safe guarded for full compliance of CE legislation. This ensures all-round blade protection for ultimate user safety during cleaning
- Built-in, self-aligning sharpening and de-burring unit
- Table / carriage, blade cover, blade and sharpening unit are detachable for easy cleaning
- Transparent slicing guard to ensure ultimate user safety whilst slicing
- Optional voltages and frequencies available on request
- CE Approved

Standard Accessories

- 1 x Knife Remover
- 1 x Tasteless Oil
- 1 x Flat Head Screwdriver

Warranty

Covered by Metcalfe 2-year warranty (1st year parts and labour, 2nd year parts only) and full after sales service

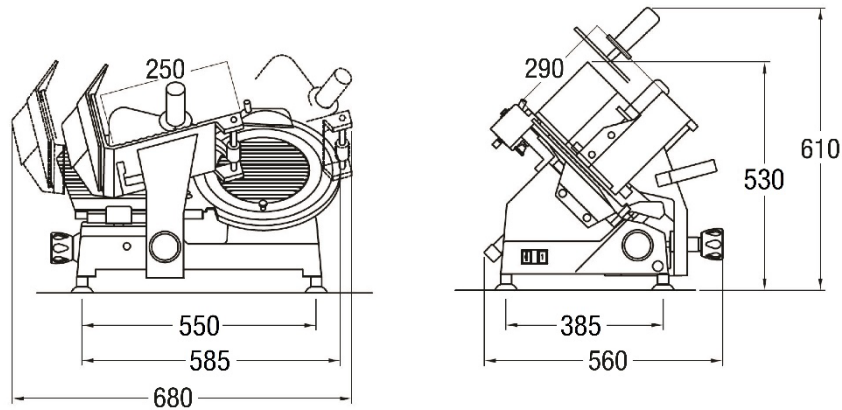
Optional Accessories

Item
Tray Extension Device
Stainless Steel Guard
Product Hold Bar for Gravity Plate
Serrated Blade

Item
Special Stainless-Steel Handgrip
Teflon Coated Parts (Blade Cover, Gauge Plate, Blade)
Special Arm (Protected)
Painting Customisation

Item
Stainless Steel Knife Remover
Aluminium Knobs
Plastic Cover – Small
Vegetable Tube

Drawing



Specifications

Model	Blade (mm) / (Inch)	Phase (Ø)	Motor (Volt)	Frequency (Hz)	AMP (A)	Power (kW)
NS300XHD	300 / 12	1	220	50	1.6	0.30

Capacity

Model	Cutting Capacity (mm)		Carriage Movement (mm)	Max Thickness (mm)
NS300XHD	● 205	□ 175 x 270	290	14

Dimensions | Shipping Information

Model	Overall Dimensions (D x W x H)	Net Weight (Kg)	Packed Dimensions (D x W x H)	Packed Weight (Kg)	Volume (m3)
NS300XHD	560 x 680 x 610	34.0	600 x 710 x 520	37.0	0.222

We reserve the right to alter the specification and technical details for this item at anytime without prior notice.

©Metcalfe Catering Equipment Ltd

NS350HD Rev: 1 03/2019

<p>Metcalfe Catering Equipment Ltd Haygarth Park Blaenau Ffestiniog Gwynedd LL41 3PF Tel: 01766 830 456 Fax: 01766 831 170 E-mail: sales@metcalfecatering.com</p>		<p>View our current catalogue visit: www.metcalfecatering.com/brochure Or scan the QR code</p> 
---	--	---